

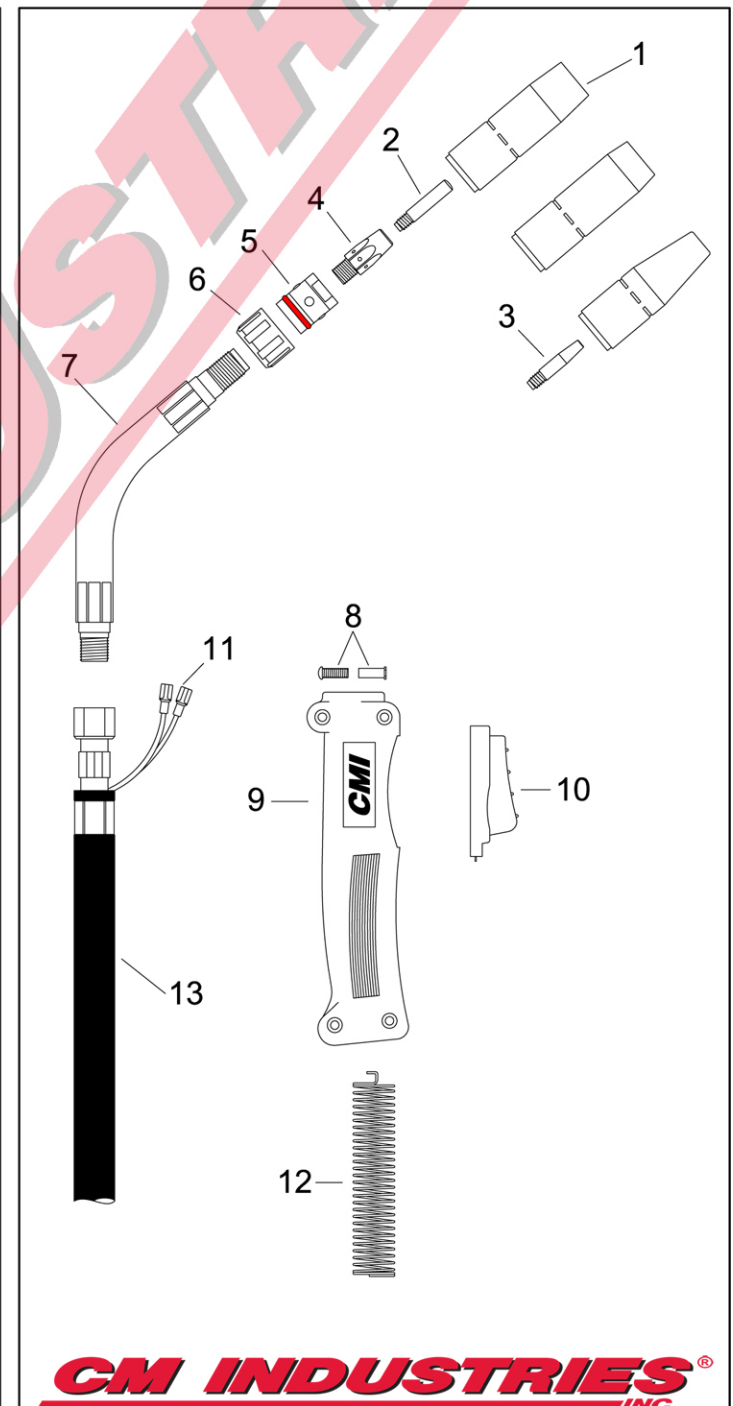
TRG 250

AIR-COOLED MIG GUN

Replacement Suitable for Tregaskiss®

RATING	GUN ORDERING PART NUMBER	GUN PLUG Direct Connect
250 Amp CO2 @ 80% Duty Cycle 200 Amp Mixed Gas @ 80% Duty Cycle Wire Capacity: 0.023" (0.6mm) - 0.045" (1.2mm)	R25xx-35 RB25xx-35 RE25xx-35 RLN25xx-35 RLF25xx-35 RLPM25xx-35 RM25xx-35 RPA25xx-35	Tweco® #4 Bernard® Euro Lincoln® "LN" Linc.® LF/Powerfeed 10 Lincoln® Power MIG® Miller® Panasonic®
xx = Standard lengths of 10, 12, 15, 20 and 25 ft. Custom lengths also available.		

#	Part Number	Description
1.	R401-4-38 R401-4-50 R401-4-62 R401-4-75	Nozzle, 3/8", Flush Tip Nozzle, 1/2", 1/8" Tip Recess, Std. Nozzle, 5/8", 1/8" Tip Recess Nozzle, 3/4", 1/8" Tip Recess
2.	R403-23 R403-30 R403-35 R403-1.0 R403-45	Contact Tip, .023" 0.6mm Contact Tip, .030" 0.8mm Contact Tip, .035" 0.9mm, Std. Contact Tip, .040" 1.0mm Contact Tip, .045" 1.2mm
3.	R403-2-23 R403-2-30 R403-2-35 R403-2-1.0 R403-2-45	Contact Tip, Tapered, .023" 0.6mm Contact Tip, Tapered, .030" 0.8mm Contact Tip, Tapered, .035" 0.9mm Contact Tip, Tapered, .040" 1.0mm Contact Tip, Tapered, .045" 1.2mm
4.	R404	Gas Diffuser, Std.
5.	R402-3 R402-4 R402-6	Nozzle Retainer, Std. Replacement Retaining Ring Replacement O-Ring
6.	R402-7 R402-5	Gooseneck Insulator, Std. Gooseneck Insulator, H.D.
7.	R205-45 R205-60	Gooseneck 250A, 45° Gooseneck 250A, 60°
8.	B1880004	Screw/Post Kit
9.	R210-5CM	Handle Kit
10.	B5662	Trigger Switch
11.	R412-1	Switch Lead Connector
12.	R213-2	Spring Guard
13.	R213-10 R213-12 R213-15	Unicable Assembly, 10' Unicable Assembly, 12' Unicable Assembly, 15'



CM INDUSTRIES
INC.

COPYRIGHT © 2010 CM INDUSTRIES, INC. ALL RIGHTS RESERVED

#	Part Number	Description
14.	185-26-001	Cable Support Spring
15.	260-25-002	Adaptor Support
16.	285-01-001	Screw
17.	R414-200	Power Pin Block, 250
18.	R214	Power Pin, Tweco
19.	R414-1	O-Ring
20.	C44C	Liner Set Screw
21.	R214-2	Power Pin, Lincoln
22.	R214-1	Power Pin, Miller
23.	R414-11-2	O-Ring, Miller
24.	R414-116	Guide Cap, Miller .035"-1/16" Wire
25.	401-00-001	Adaptor Nut
26.	285-03-002	Male Pin w/ Lead
27.	R425-10CM	Power Pin, Euro
28.	285-00-002	O-Ring, Euro
29.	300-05-001	Electrical Plug, Miller
30.	300-05-002	Electrical Plug, Lincoln
31.	R415-23-15	Liner Assembly, 15' .023"
	R415-30-15	Liner Assembly, 15' .030"
	R415-35-15	Liner Assembly, 15' .035"-.045", Std.
	R415-116-15	Liner Assembly, 15' .045"-1/16"
	R415-35-2	Liner Assembly, Aluminum, 15', .035"-3/64"
	R415-116-2	Liner Assembly, Aluminum, 15', 3/64"-1/16"

